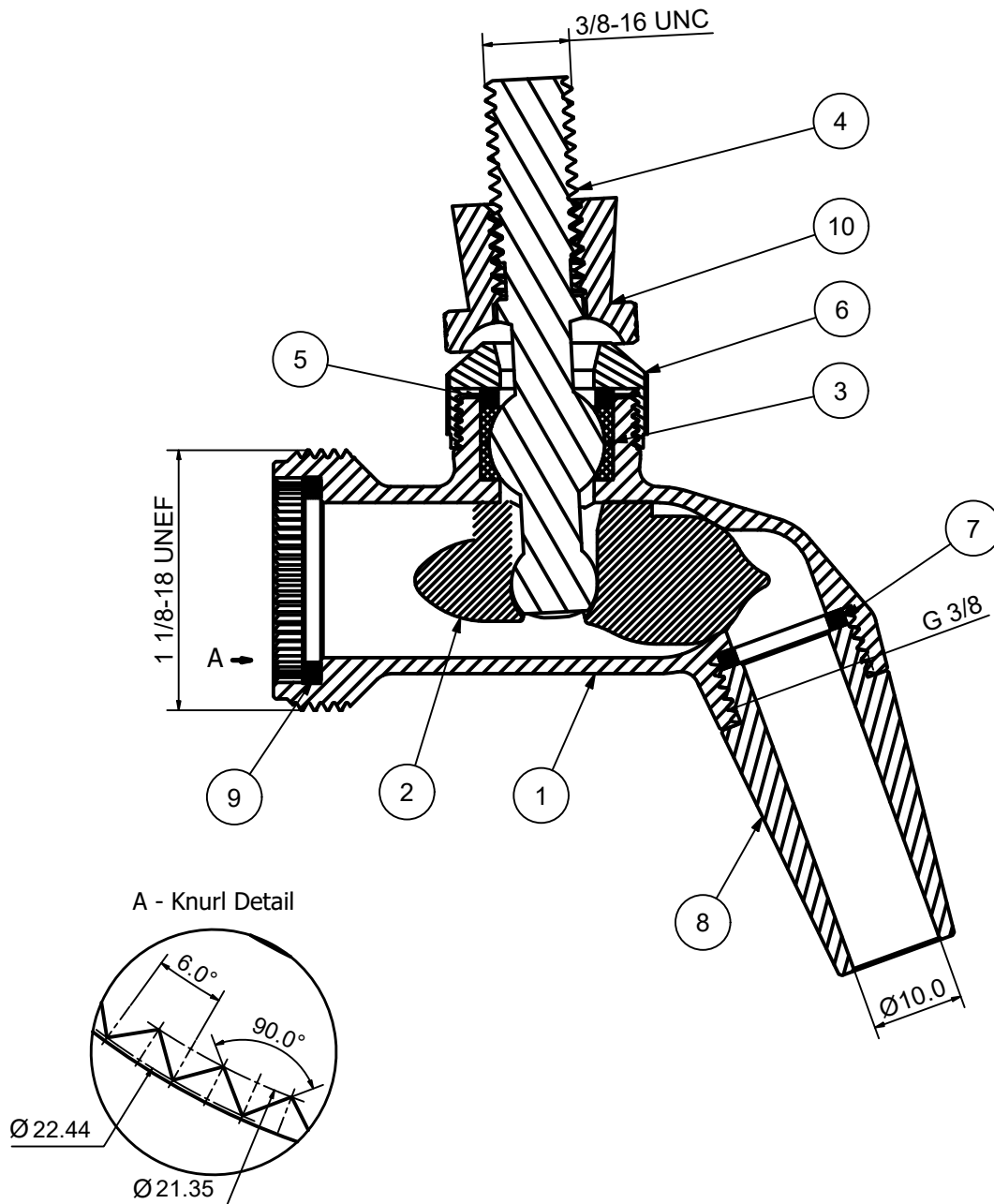


Nukatap SS

Stainless Steel: KL15509



Components

- | | |
|---------------------------------|-------------------------|
| 1. Nukatap Body - 304 Stainless | 8. 10mm Standard Nozzle |
| 2. Nukatap Shuttle - PP/EPDM | 9. Shank Sealing Washer |
| 3. Ball Seal (2 pcs) | 10. Handle Collar |
| 4. Lever | |
| 5. Bonnet Washer | |
| 6. Bonnet | |
| 7. Nozzle Washer | |



Distributed by:
www.KegLand.com.au
www.KegLand.cn

