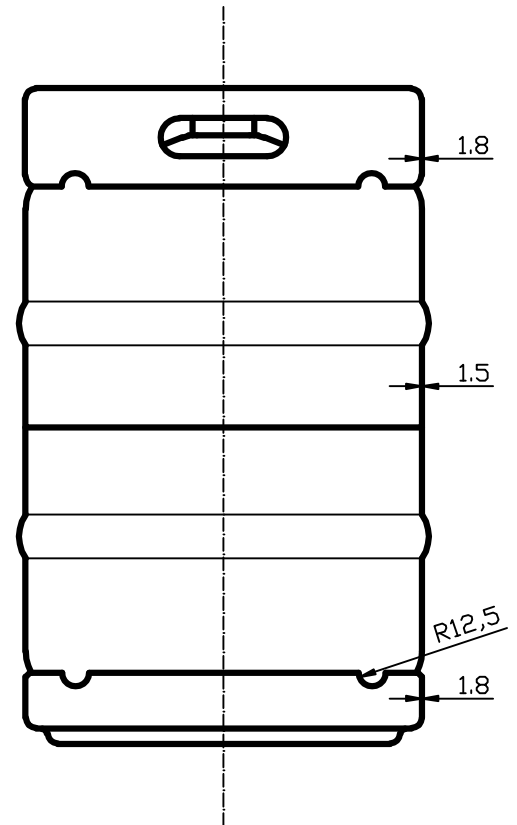
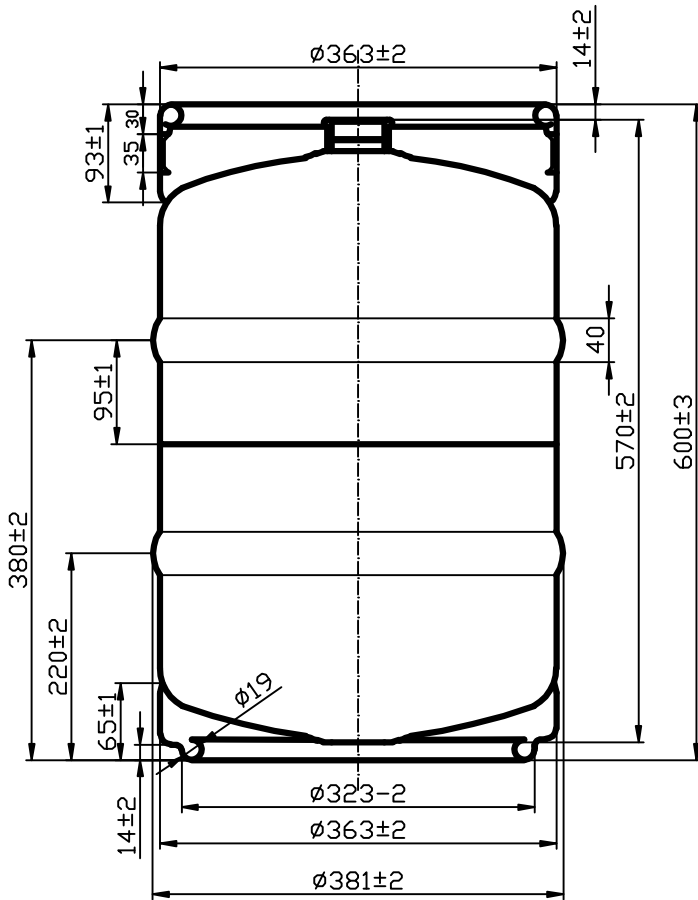


50L 304 Keg DIN Style

PART#KL09485



These kegs made in compliance with Australian Standards (AS2971) are manufactured with sanitary welds from 304 stainless steel. The kegs have nominal volume of 50L with total volume being 50.2L (± 0.2 litres)

These kegs are sold as keg only (part #KL02769) with the neck of the keg having a 2" x 14TPI thread which will accept the different spear types that we stock such as:
D-type spear (part #KL09508)
A-type spear (part #KL09492)
Ball Lock Tapping Head (part #KL06972)

The dimensions of these kegs are inline with standard "DIN" style kegs. The shorter "EURO" style kegs can be made on request. Many customers prefer the DIN kegs as they fit better on Chep and Loscam pallets when packed 9 per layer.

The keg is made from 1.5mm stainless wall and 1.8mm stainless chimes to ensure it can handle repeated drops from 3 meter height at full capacity. The chimes on the kegs are made to interlock so that the kegs are stackable and safe when stacked up to 4 or more layers high.

Pressure Limitations

Recommended Working Pressure: 3.0 BAR

Test Pressure: 5 BAR