

SM24HY01 压力传感器 SM24HY01 Pressure Sensor

一、概述 Summarize

SM24HY01 压力传感器采用高性能专有制造的元膜片，配合先进的温度补偿技术，将压力变化转化为线性的电压或电流信号。该产品体积小、易于安装适用于测量与接触部分材质相兼容的气体和液体等介质。广泛用于化工涂料、油漆、泥浆、沥青、原油等粘稠性液体压力测量；带有裸粒、杂质的气压测量；熔体压力测量；油烟管道压力测控。

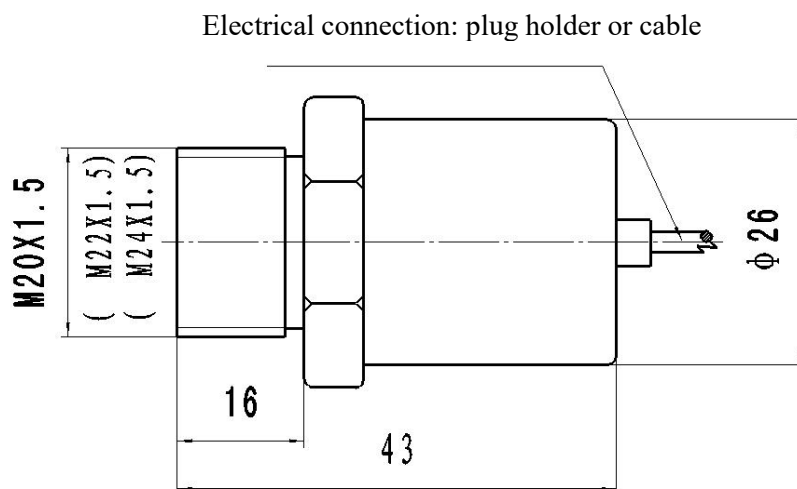
The SM24HY01 pressure sensor uses a high-performance proprietary meta diaphragm, coupled with advanced temperature compensation technology, to convert pressure changes into linear voltage and current signals. The product is small and easy to install and is suitable for measuring media such as gases and liquids that are compatible with the material of the contact part. Widely used in chemical coatings, paints, mud, asphalt, crude oil and other viscous liquid pressure measurement; Air pressure measurement with grains and impurities; Melt pressure measurement; Pressure measurement and control of oil fume pipeline.

二、特点 Feature

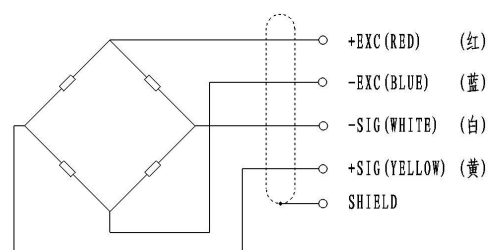
- 采用美国专有加工技术制造的圆膜片。
- 外壳和膜片为一体，无引压腔，频响高。
- 整体不锈钢结构。
- 适用于各种动静态气体液体介质的压力测量。
- 产品分常温、中高温两种。
- Round diaphragms manufactured with proprietary American processing technology.
- Shell and diaphragm as one, no pressure inducer cavity, high frequency response.
- Overall stainless steel structure.
- Suitable for the pressure measurement of various dynamic and static gas and liquid media.
- Products are divided into room temperature, medium and high temperature two kinds.



Dimensions 外形尺寸 (In mm. 1mm=0.03937 inches)



Circuit Diagram 电路图:





SUNMOON
日月科技

Red: +input 红色: +激励
Blue: -input 蓝色: -激励
White: +output 白色: +信号
Yellow: -output 黄色: -信号

Specification 技术参数:

Type	Technical parameters
Nominal load range	0 ~ 200 Mpa
Sensitivity	2.0±0.5mV/V
Class precision	0.25%FS
Input Impedance	1000±30
Output Impedance	1000±1
Zero Balance	≤0.1%FS
Power supply	10~12 VDC
Effect of temperature	0.5%FS/10°C
Temperature compensation	-10~65°C
Operating temperature	-40 ~ +200°C
Safe Load Limit	150% FS
Material material	Stainless steel
Protection type	IP67 (IEC60529)
cable length	6 meters