



# ABOUT CYLON GROUP

## 关于西朗



CYLON Group was founded in 1999 and is a modern high-tech enterprise specializing in integrating electrical design, R&D, manufacturing, sales, and service under one platform. Since its establishment, the company has always adhered to the principles of "Integrity, Innovation, and Quality" as its founding mission and regards "Technology+Service" as the core foundation of its business.

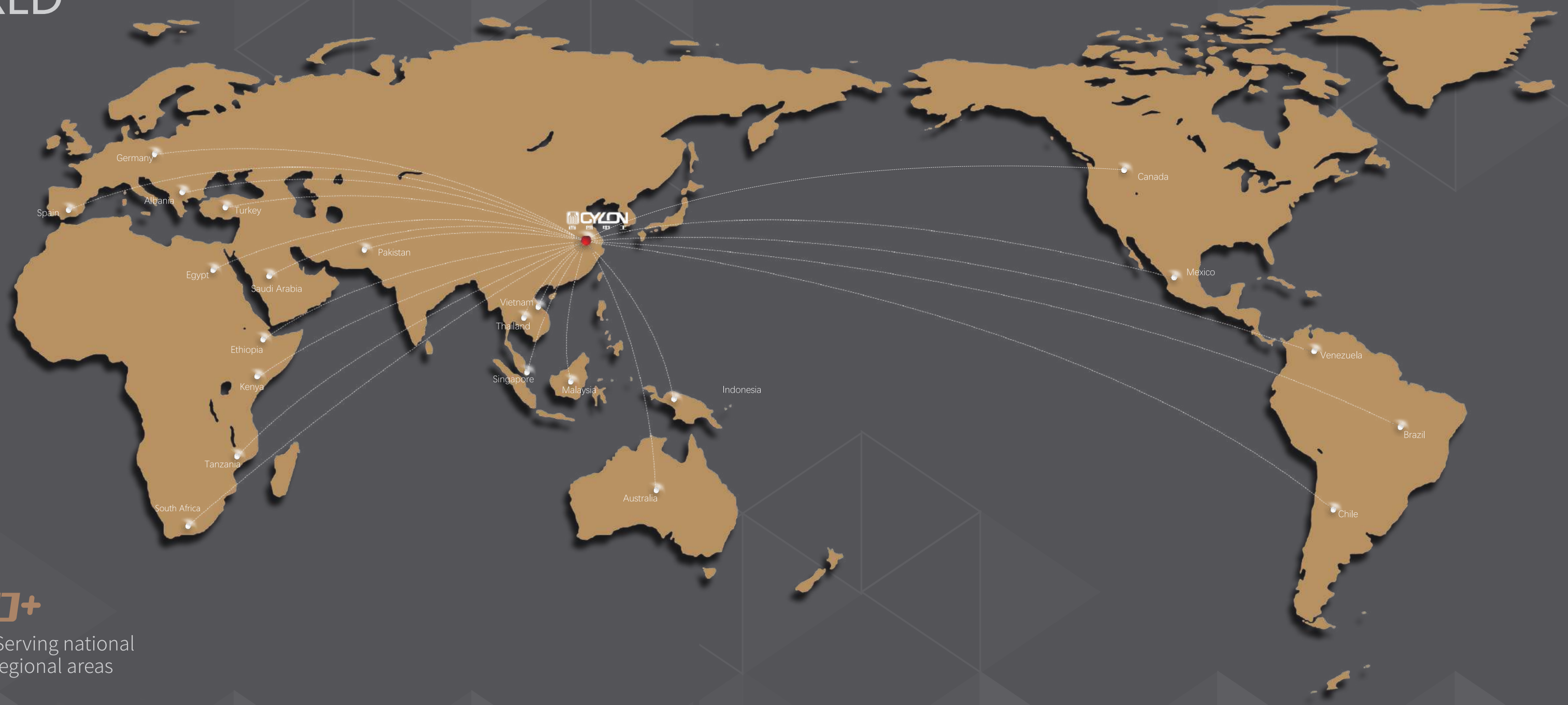


CYLON Group has been committed to scientific and technological innovation and management upgrades, successfully establishing a standardized management system covering quality, environment, occupational health, and safety. Additionally, it has obtained certifications such as COC (China Quality Certification Center) product safety certification and CCC (China Compulsory Certification) national mandatory product certification, forming a comprehensive standardized certification system covering the entire process.



CYLON Group has obtained numerous technical professional certifications and production licenses for electrical industrial products. By leveraging advanced technology, excellent quality, and comprehensive service, the company has established a strong foothold in the electrical industry, laying a solid foundation for XiLang to become a world-class brand in the power-transmission and distribution sector.

# SERVING THE WORLD



**1999**

5 Subsidiaries

**60+**

+60 Serving national and regional areas

**100+**

+100 Professional technical personnel

**300000+**

+30000 cumulative customers

# CY-H Voltage Enclosure Busway System



**+75KV Lightning test**  
And High Performance, High Protection

**Withstand High Voltage-Withstand puncture**  
and Strong insulation Protection

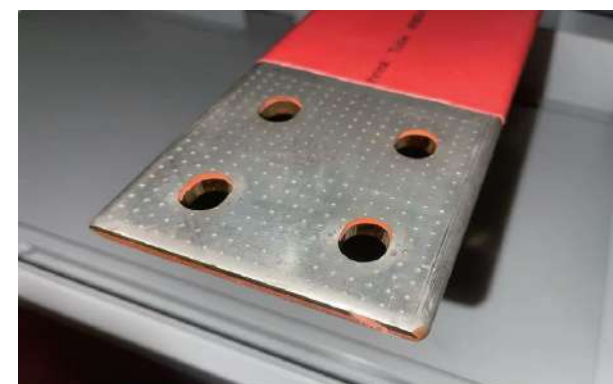
## Product Features

### ▶ Ultra-High Voltage Operation

**Withstand High Voltage:** Passed the 1-minute AC withstand voltage test with a measured voltage of 42.1kV, without breakdown.

**Adaptability:** Stays stable at conditions of 24°C, 40% humidity and 100.9kPa pressure.

**Nice Design:** The design of A, B, C terminals and outer shell base is scientifically reasonable, ensuring electrical safety.



### ▶ Lightning Impulse Test

**Withstand High Voltage:** No breakdown under positive and negative polarity test voltages.

**Adaptability:** Passes tests under specific temperature, humidity and pressure conditions.

**Structural Stability:** Aa, Bb, Cc, etc., show stable performance in positive and negative polarity tests.



### ▶ Effective Protection Against Dust Deposition

**High Protection Standards:** IP5X, effectively blocking dust.

**Safe Extra-Low Voltage:** 40V-50V, ensuring worry-free operation in electrical applications.

**Airtight Dust-Proof Design:** The internal pressure of the casing is lower than the external environment, providing excellent dust-proof performance.

**Precise Gap Design:** Ensures a safe distance from hazardous components through rigorous probe testing.

**Durability Testing:** Undergone an 8-hour dust test, guaranteeing stable and reliable performance in line with electrical industry standards.



### ▶ Effective Waterproofing through Spraying

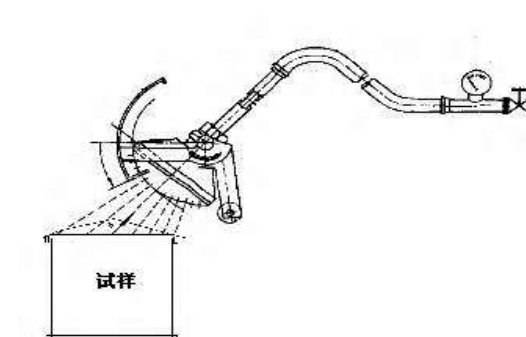
**High Waterproof Rating:** IPX4 effectively waterproof.

**Passed Rain Resistance Test:** With no adverse effects, demonstrating stable performance.

**Insulation Parts Dry:** No water traces found in the main and auxiliary electrical circuits.

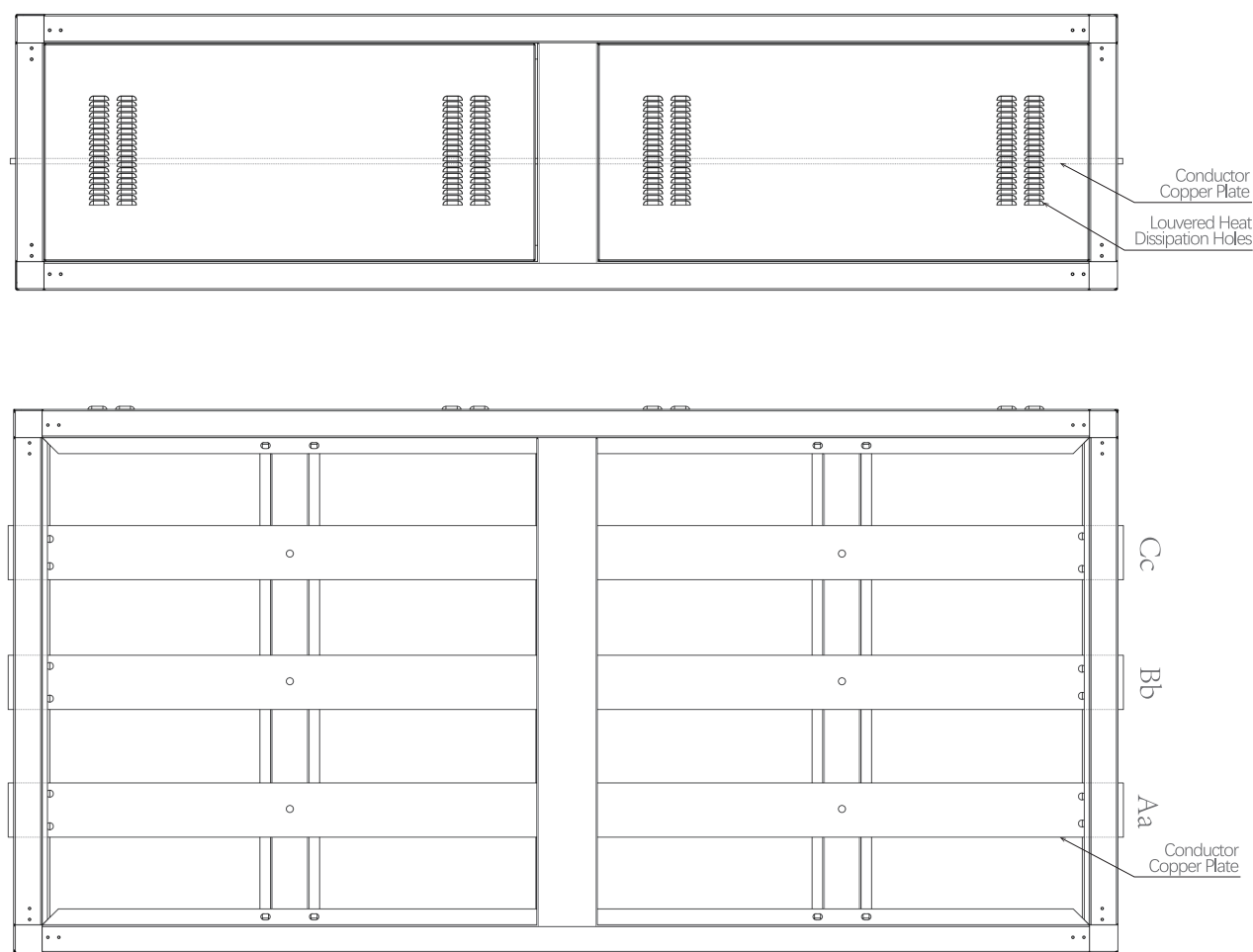
**Internal Components Safe:** No water ingress in electrical and mechanical parts, ensuring smooth operation.

**No water Structural:** No water accumulation in non-insulated parts, ensuring durability and reliability.

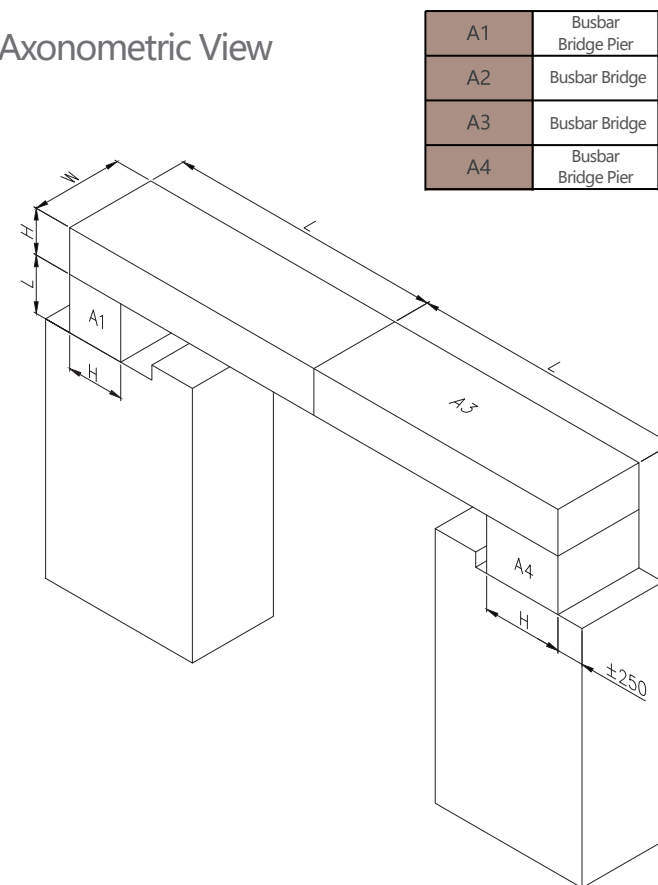


# CY-H Voltage Enclosure Busway System

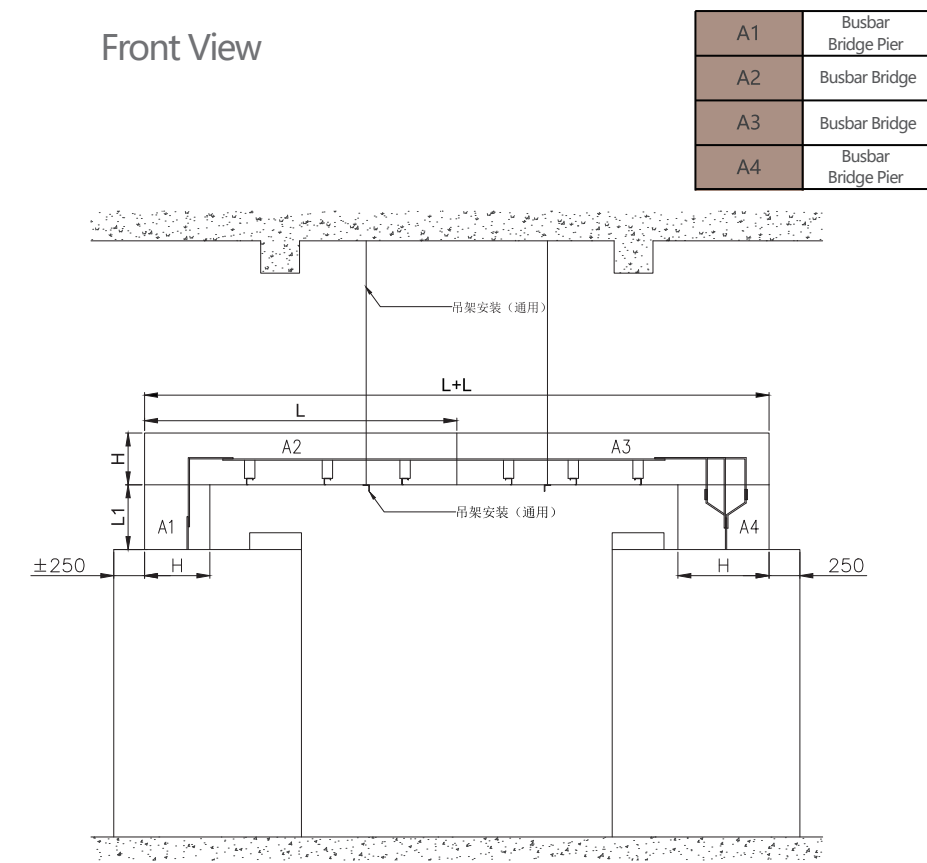
## Space Required for Installation



Axonometric View



Front View



Technical Parameter Table:

Parameter Type	Technical Index
Applicable Frequency	50~60Hz
Rated Voltage	10kV
Rated Current	400~6300A
Insulation Resistance	≥100MQ(2500V Megohmmeter)
Protection Rating	Indoor: IP40; Outdoor: IP43/IP54
Power Frequency Withstand Voltage	Passes 1-minute power frequency withstand voltage test
Grounding System	Complies with IEC 6364-5-54 standard requirements

Dimension Specification Table:

Rated Voltage (kV)	3.15	6.3	10.5	20	
Insulation Rating (kV)	18/40	23/60	35/75	50*125	
Rated Current	(LmmxHmm)				
	1000~1600	800x500	1200x560	1200x560	1400x620
	2000	800x500	1200x560	1200x560	1400x650
	2500	800x500	1200x560	1200x560	1500x620
	3200	800x500	1200x560	1200x560	1600x650
4000	800x500	1200x560	1200x560		

注：支持其他规格定制

